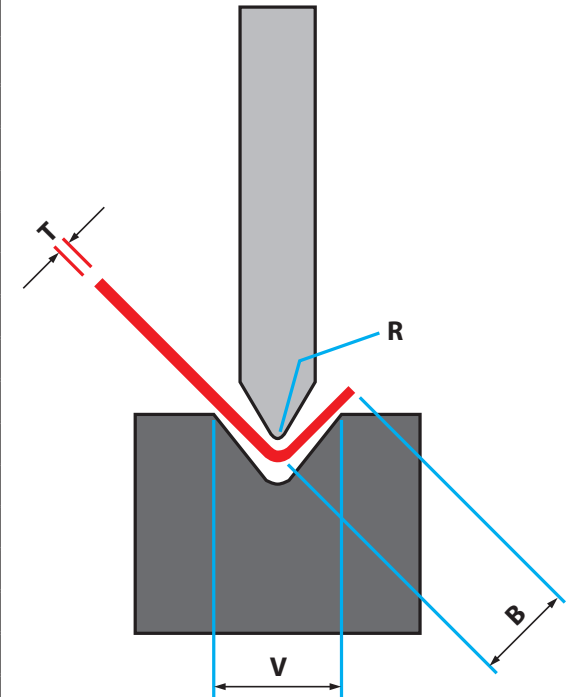


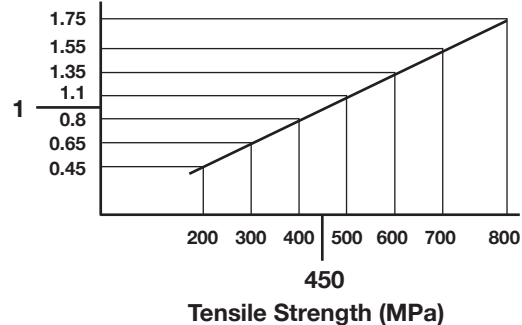
BENDING FORCE CHART

PLATE THICKNESS (mm)			0.5	0.8	1	1.2	1.5	1.8	2	2.5	3	4	5	6	8	10	12	15	20	32	
V	R	B																			
4	0.7	2.6	4	10.5																	
8	1.5	5.2	2	5.5	8	11.5	18														
10	1.7	6.5		4.1	6.5	9.5	14.5	21	26												
12	2	7.8			5.5	8	12	17.5	21.5	33.5											
16	2.7	10.4				6	9	13	16	25	36										
20	3.4	13					7.5	10.5	13	20	29	52									
25	4.2	16						8.5	10.5	16	23	41									
30	5	20								14	19	34	54								
35	6	23									17	30	46								
40	7	26									15	26	40	58							
45	7.5	29										23	36	52							
50	8.5	32										21	32	46							
55	9	36											30	42							
60	10	39											27	39							
65	10.8	42											25	36							
70	11.7	45												33	59						
75	12.5	49												31	55						
80	13.5	52												29	52	80					
85	14	55													49	76					
90	15	58													46	71					
100	17	65													41	64	93	144			
110	18.5	71														59	84	131			
120	20	78														54	77	120			
140	24	100														66	103				
170	29	120														55	85	151			
200	35	145															72	128	200		
250	44	180																	108	169	

Tonne/Metre



Correction Factor



100% Australian Owned Est. 1930



"Setting the standard for quality & value"

SYDNEY Ph: (02) 9890 9111
 BRISBANE Ph: (07) 3274 4222
 MELBOURNE Ph: (03) 9212 4422
 PERTH Ph: (08) 9373 9999

www.machineryhouse.com.au